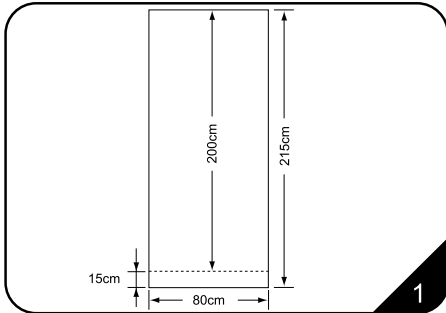


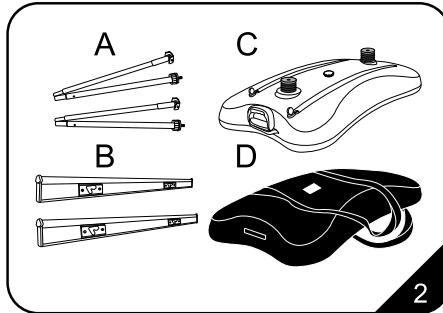
# INSTALLATION STEPS

# Clipper

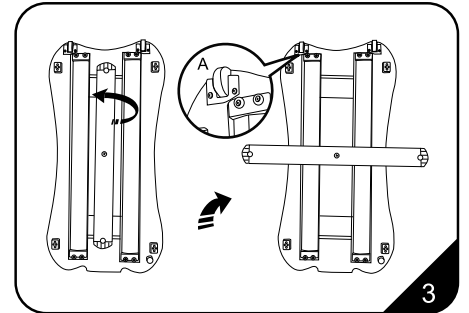
**CAUTION: When unpacking, the graphic leader is wrapped around the top rail to keep it from rolling into the base if the locking lever is accidentally pushed down into the unlock position during shipping. Ensure the locking levers are pulled up in the locked position before removing the top rails.**



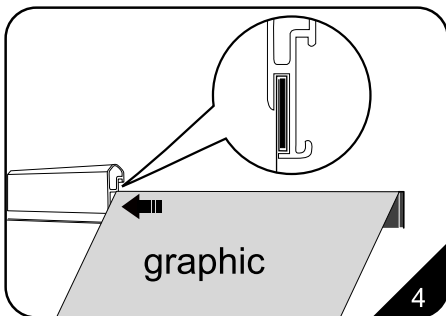
1. The overall dimension of the graphic is 31.5" x 87". The visible overall height of the graphic is 31.5" x 79". See the graphic template for details.



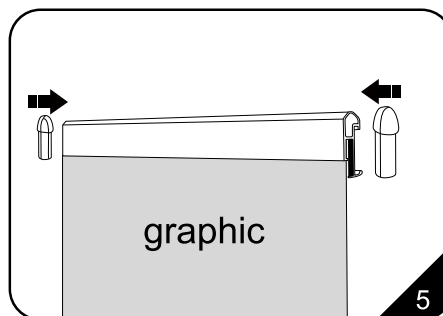
2. A. Telescopic pole      B. Graphic top bar, 2 pcs  
C. Water base assembly      D. Nylon bag



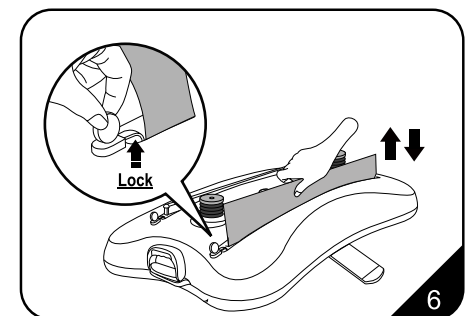
3. A. Wheels  
Swing out foot for added stability



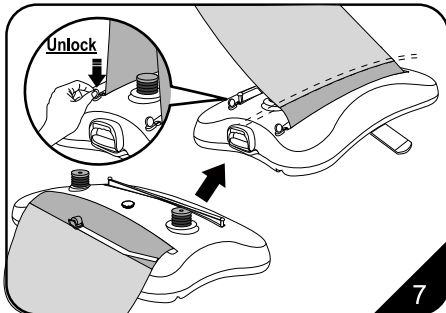
4. Remove the metal bar from the top graphic rail, stick it to the back side of the top of the graphic, fold it over 180°, then put it back into the top rail as shown.



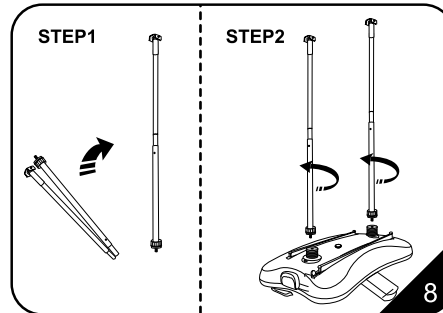
5. Make sure the graphic is facing the front of the top rail, then attach the top rail end caps.



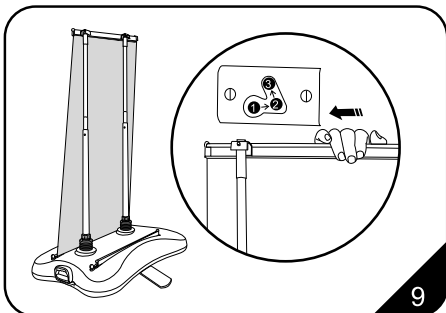
6. Pull the graphic leader out and ensure that the locking lever is pulled up into the locked position.



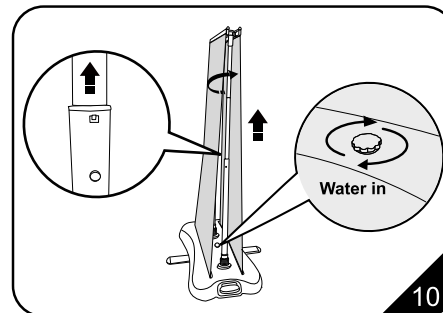
7. Stick the graphic to the adhesive strip on the leader evenly, then apply packing tape to the back side of the seam. Pull the graphic out slightly and push the locking lever down and lower the graphic into the base.



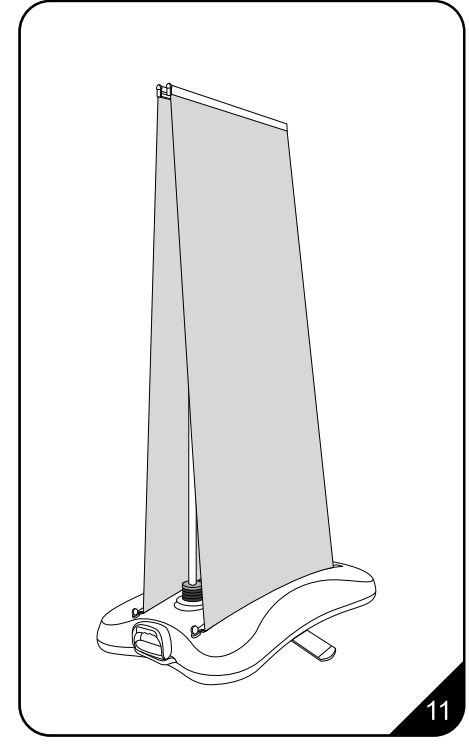
8. Unfold the pole and fit the pieces together. Screw the poles firmly into the spring then turn the top brackets to face outward to match the direction of the top rail.



9. Line up the connectors in the top rail of one banner with the pin in the top pole connector and slide into the locked position. Having 2 people will make this easier. At this point, ensure the base is where you want it.



10. Fill the base with enough water to keep it stable for your wind conditions. Raise and attach the other banner. Raise both poles until the locking pin locks into position. This will require 2 people. Twist the pole to adjust if necessary.



**CAUTION: PLEASE READ THE INSTRUCTIONS BEFORE INSTALLING PRODUCT**