

Wind Dancer LT

Wind Dancer LT telescopic outdoor flagpole is a great option for outdoor and indoor banner display. It offers an adjustable display height of up to 13'6" and comes with a hollow base allowing the option of adding either water or sand as a weighting agent. The constructed unit is easy to position, erect, and remove. The spire conversion allows for a dual display that looks great.



Features and Benefits

- Quick to assemble and easy to use
- Adjustable height up to 13'6"
- Hollow base can be filled with either water or sand
- Can be used with the Spire Conversion

Dimensions

Wind Dancer LT	Spire Conversion
Max Height: 13'6" (4114.8mm) Min Height: 9'8" (2946.4mm)	Height: 13'6" (4114.8mm)
Foot Print: 25.5" diameter (647.7mm)	Foot Print: 25.5" diameter (647.7mm)
Top Width: 36" (914.4mm)	Top: 45.5" l x 47" w (1155.7mm l x 1193.8mm w)

Graphic Dimensions

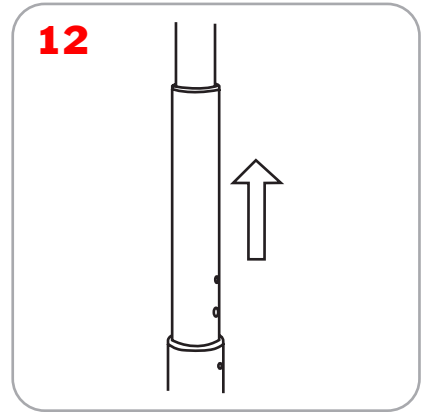
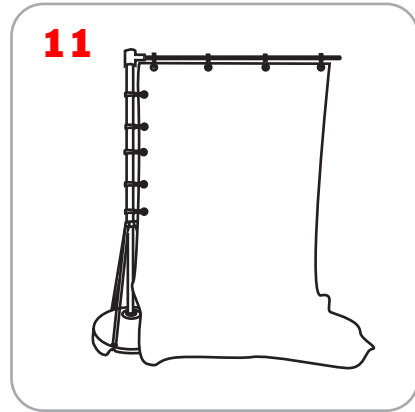
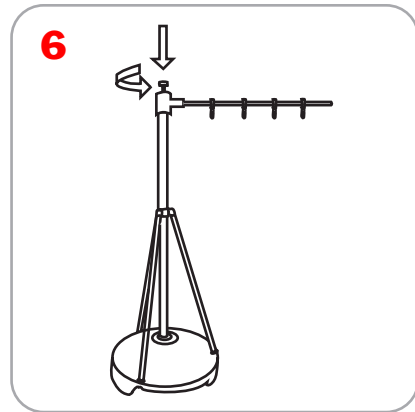
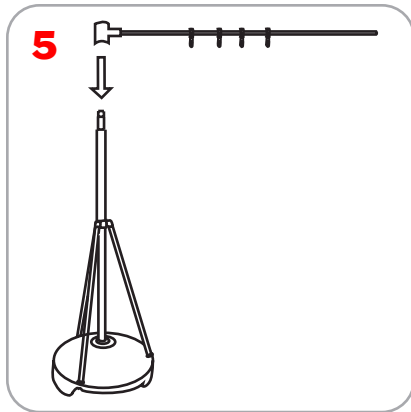
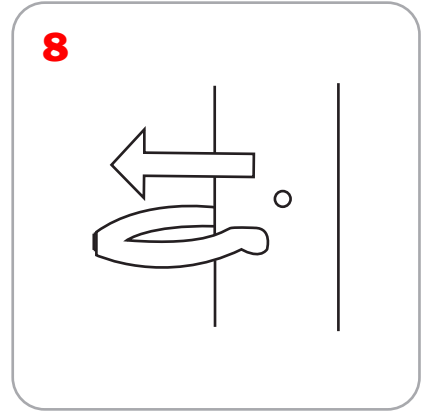
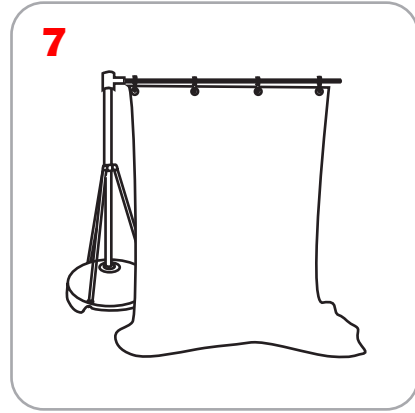
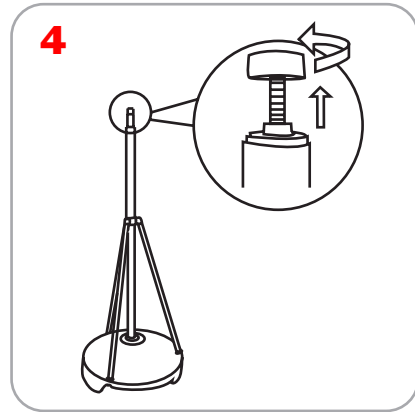
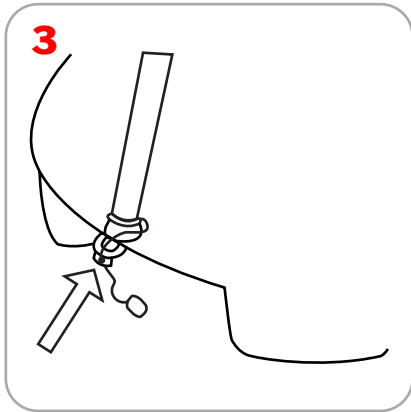
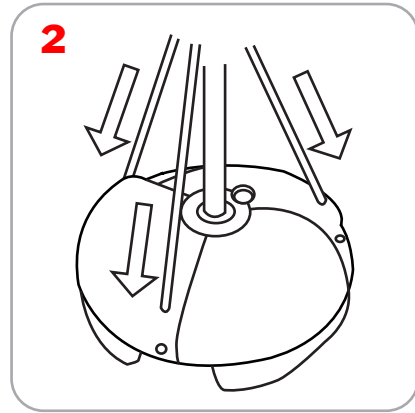
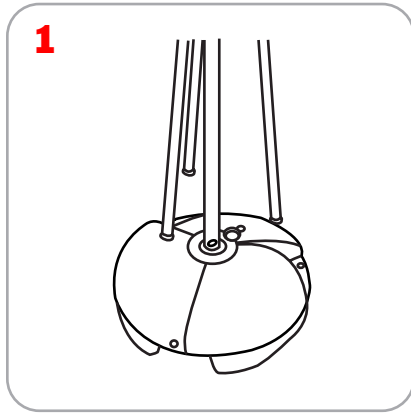
Hardware Dimensions	Spire Conversion
Large Graphic: 31.5" w x 106.5" h (800.1mm w x 2705.1mm h) Small Graphic: 31.5" w x 58" h (800.1mm w x 1473.2mm h)	Height: 107" (2717.8mm) Width at Top: 39" (990.6mm) Width at Bottom: 20" (508mm)
Fabric: Polyester 4 oz. flag -UV resistant ink for outdoor use -Double stitch hem, unless double sided -Grommets: 4 across top, 7 along side	Fabric: Polyester 4 oz. flag -UV resistant ink for outdoor use -Double stitch hem, unless double sided -Grommets: 4 across top, 4 across bottom

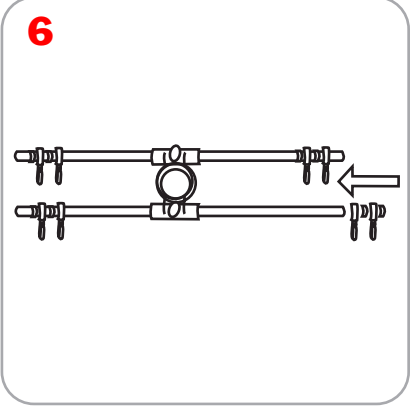
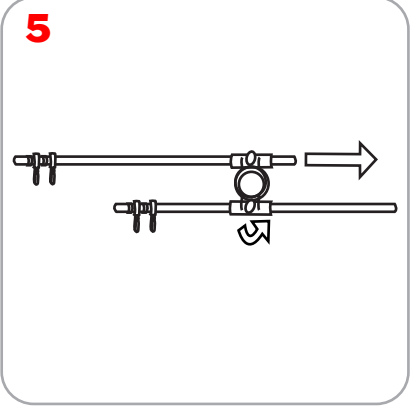
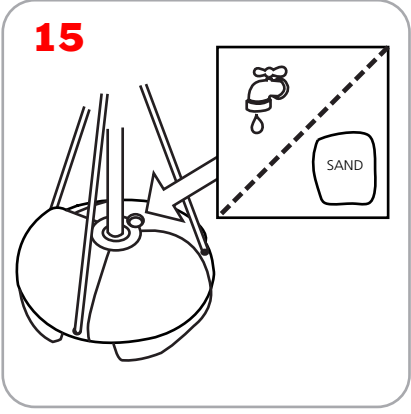
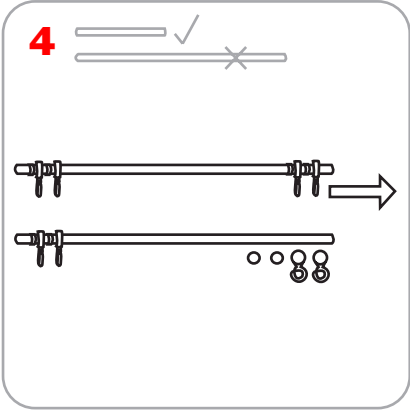
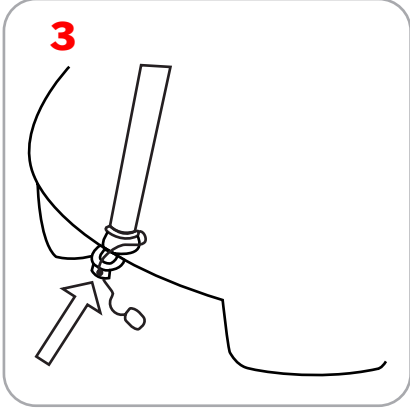
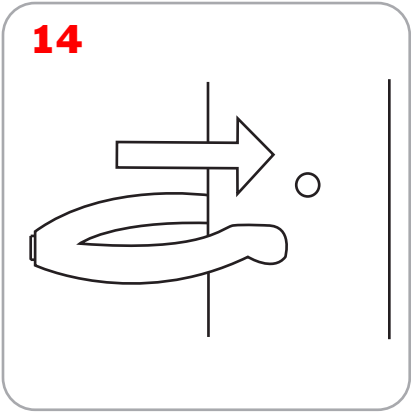
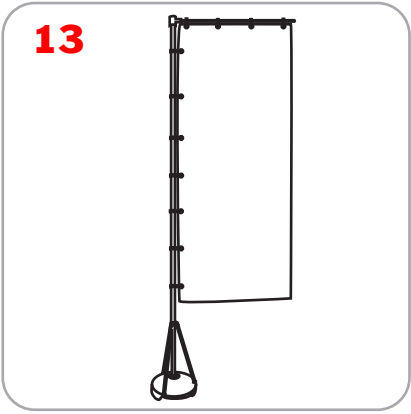
Additional Information

Hardware Dimensions	Spire Conversion
Ships in two boxes -Box 1 (poles): 64" l x 6" w x 6" h (1625.6mm l x 152.4mm w x 152.4mm h) Weight*: 11lbs (5kg) -Box 2 (base): 27" l x 27" w x 11" h (685.8mm l x 685.8mm w x 279.4mm h) Weight*: 12lbs (5.45kg)	Wind Dancer LT Accessory Recommended for Indoor use Only Box Dimensions: 52" l x 6" w x 6" h (1320.8mm l x 152.4mm w x 152.4mm h) Weight*: 7lbs (3.18kg)
Base when filled with water: Est. 110lbs (50kg) 11.5 gallons of water fill base *Dimensional Weight Applies	Base when filled with water: Est. 110lbs (50kg) 11.5 gallons of water fill base *Dimensional Weight Applies

We are continually improving and modifying our product range and reserve the right to vary the specifications without prior notice. All dimensions and weights quoted are approximate and we accept no responsibility for variance. E&OE. See Graphic Templates for graphic bleed specifications.

Wind Dancer LT Set-Up





Spire Conversion

