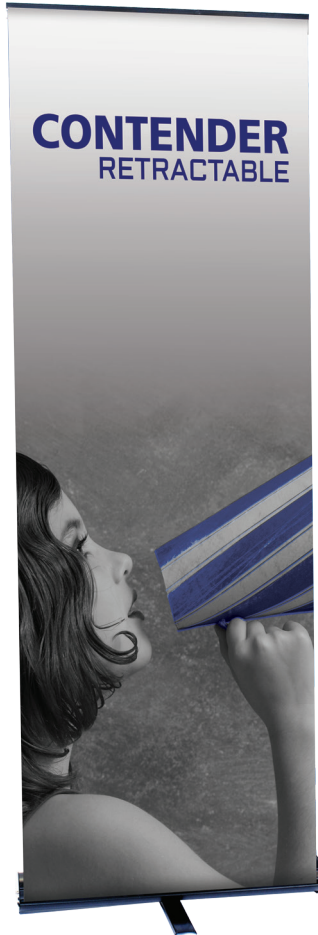


Contender

CN-24-B / CN-24-S
 CN-30-B / CN-30-S
 CN-36-B / CN-36-S



features and benefits:

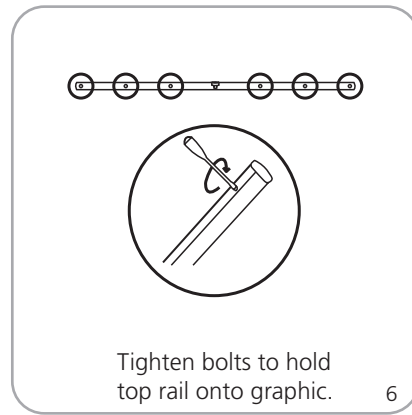
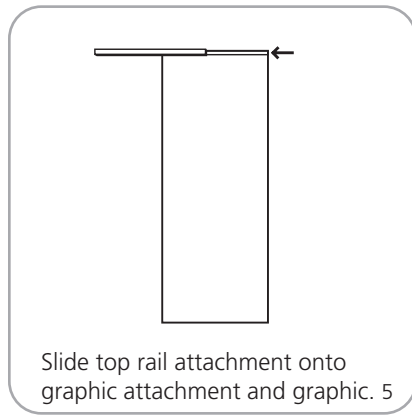
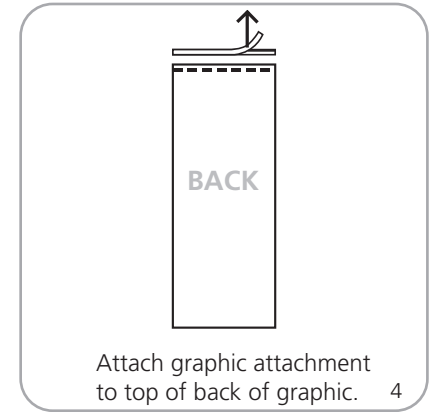
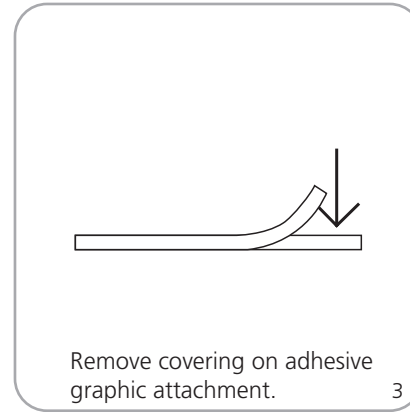
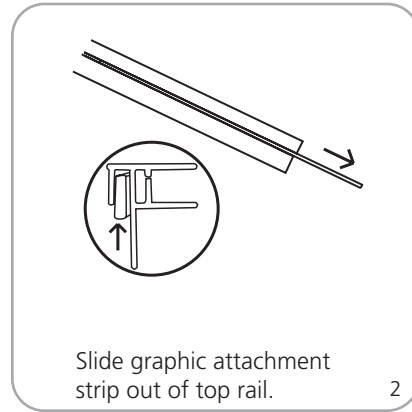
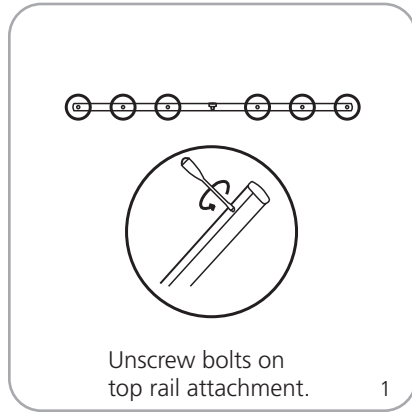
- Easily customizable heights
- American made
- Optional 4th pole for added height
- Supplied with quality carry bag
- Standard height of 79.25"
- Quick and easy to assemble
- Lifetime warranty against all manufacturer defects

dimensions:

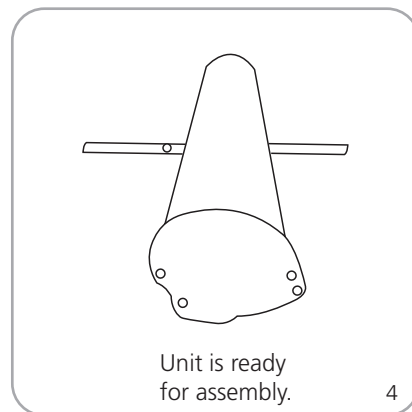
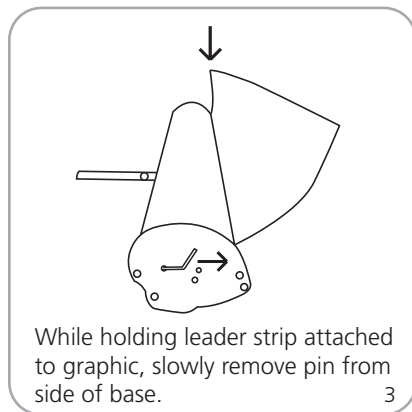
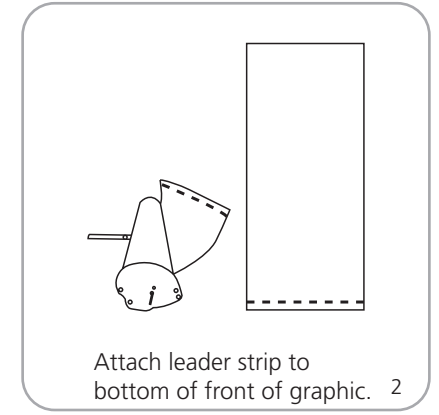
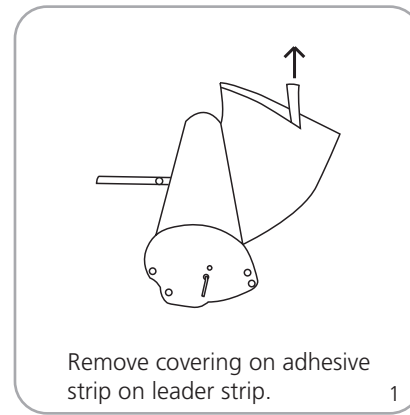
Hardware	Graphic
<p>Base dimensions: (with swivel foot extended) Contender Mini: 16"l x 24.5"w x 3.25"h 406mm(l) x 622mm(w) x 83mm(h)</p> <p>Contender Standard: 16"l x 30.5"w x 3.25"h 406mm(l) x 775mm(w) x 83mm(h)</p> <p>Contender Mega: 16"l x 36.5"w x 3.25"h 406mm(l) x 927mm(w) x 83mm(h)</p> <p>Contender Monster: 16"l x 48.5"w x 3.25"h 406mm(l) x 1232mm(w) x 83mm(h)</p> <p>All bases are 4"w without swivel foot extended</p>	<p>Total visible area: Contender Mini: 23.5"w x 77.5"h 597mm(w) x 1969mm(h)</p> <p>Contender Standard: 29.5"w x 77.5"h 749mm(w) x 1969mm(h)</p> <p>Contender Mega: 35.5"w x 77.5"h 902mm(w) x 1969mm(h)</p> <p>Contender Monster: 47.5"w x 77.5"h 1207mm(w) x 1969mm(h)</p> <p>Total visible area with 4th pole: All Contenders will have same width dimensions listed above. The height will increase to 105" / 2667mm.</p>
Shipping	
<p>Shipping dimensions: (ships in one box) Contender Mini: 30"l x 6"w x 6"h 762mm(l) x 152mm(w) x 152mm(h)</p> <p>Contender Standard: 34"l x 6"w x 6"h 864mm(l) x 152mm(w) x 152mm(h)</p> <p>Contender Mega: 40"l x 6"w x 6"h 1016mm(l) x 152mm(w) x 152mm(h)</p> <p>Contender Monster: 52"l x 6"w x 5"h 1321mm(l) x 152mm(w) x 127mm(h)</p>	
	additional information:
	<p>Included in kit: Top rail, base, pole set and carry bag</p>

We are continually improving and modifying our product range and reserve the right to vary the specifications without prior notice. All dimensions and weights quoted are approximate and we accept no responsibility for variance. E&OE. See Graphic Templates for graphic bleed specifications.

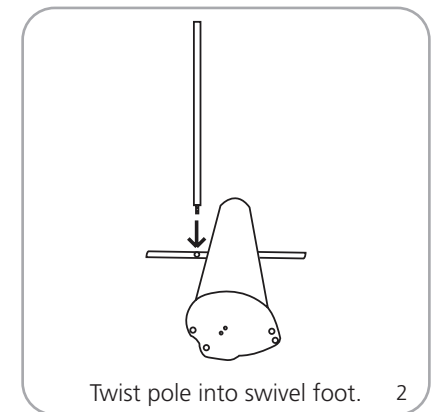
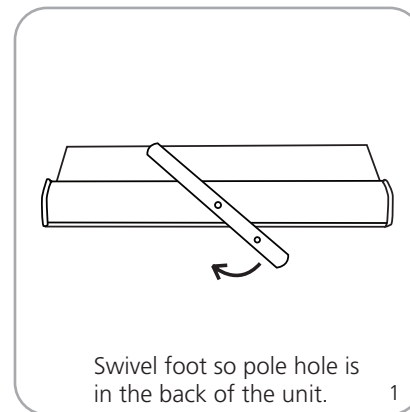
Grippa Top Rail Attachment



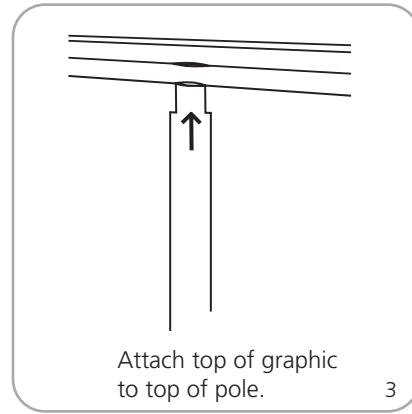
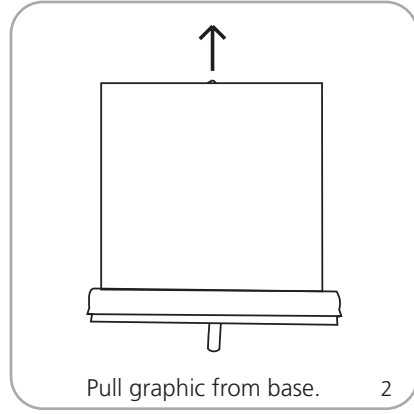
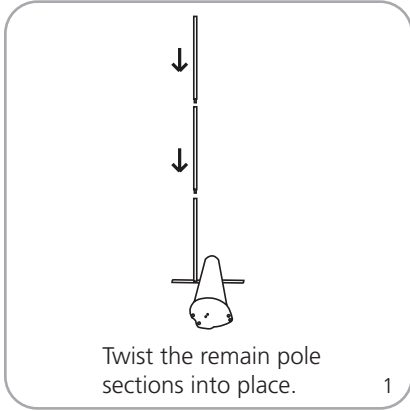
Attaching Graphic to Leader Strip



Assembly Instructions



Assembly Instructions



4th Pole Attachment

