

# Pacific

PAC-800-S-2  
 PAC-920-S-2  
 PAC-1000-S-2

The Pacific is a lightweight, affordable roller banner with slim base and bungee pole making it very compact. It comes complete with a swivel out foot for extra stability.



## features and benefits:

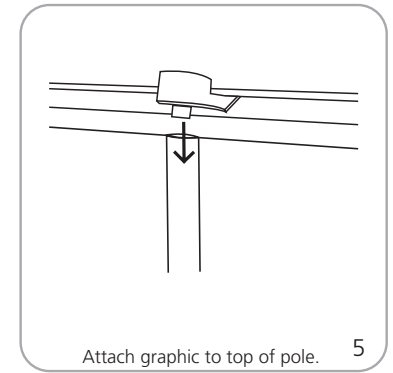
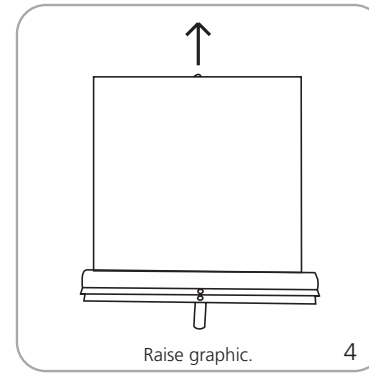
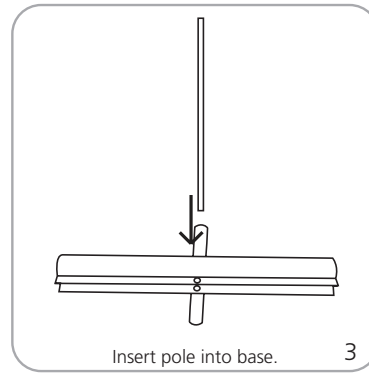
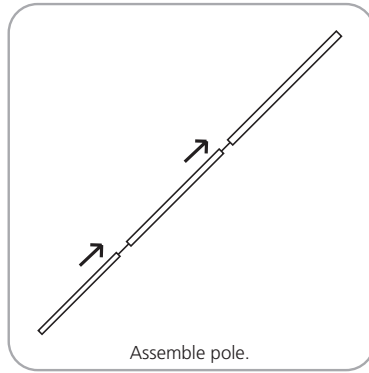
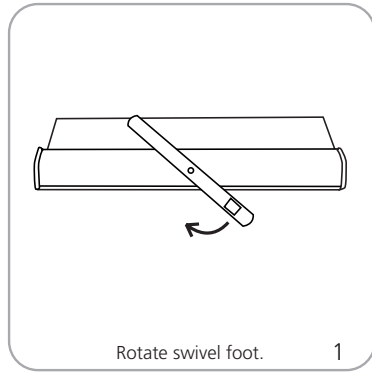
- Your choice of 3 widths
- Available in anodized silver
- Three piece bungee pole
- Molded end caps
- Swivel-out foot for extra stability
- Supplied with quality carry bag
- Lifetime warranty against all manufacturers defects

## dimensions:

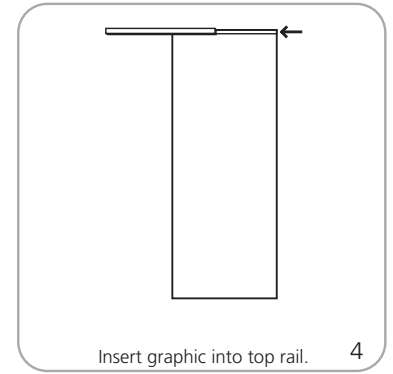
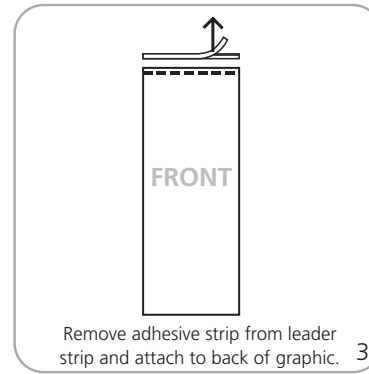
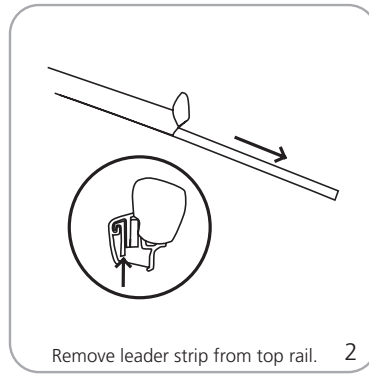
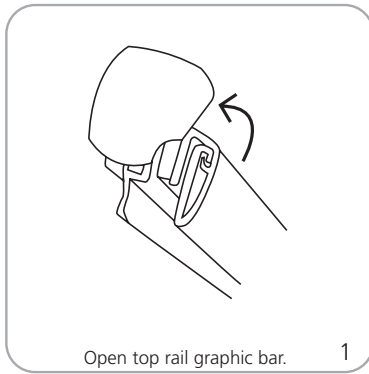
Hardware	Graphic
<p><b>Pacific 800:</b> 32.5" w x 3.75" h x 16" d 825.5mm(w) x 95.25mm(h) x 406mm(d)</p> <p><b>Pacific 920:</b> 36.5" w x 3.75" h x 16" d 927mm(w) x 95.25mm(h) x 406.4mm(d)</p> <p><b>Pacific 1000:</b> 40.25" w x 3.75" h x 16" d 1022mm(w) x 95.25mm(h) x 406.4mm(d)</p> <p>(all dimensions with swivel foot extended)</p> <p>All Pacifics 4" d (101.3mm) w/o swivel foot extended, base diameter 5"</p> <p>All Pacifics floor to top cap: 86.25" h (2191mm(h))</p> <p><b>Weight: (including carry bag)</b> 10 lbs. / 4.54 kg</p> <p>Bag: 6" x 4"</p>	<p><b>Total visible area:</b>  <b>Pacific 800:</b> 31.5" w x 83.75" h 800mm(w) x 2127mm(h)</p> <p><b>Pacific 920:</b> 35.5" w x 83.75" h 902mm(w) x 2127mm(h)</p> <p><b>Pacific 1000:</b> 39.25" w x 83.75" h 997mm(w) x 2127mm(h)</p> <p>Add 1/2" bleed at top and 6" bleed at bottom</p> <p>Refer to related graphic template for more information.</p> <p>Grippa top rail attachment recommended for semi-permanent or long term use. Adhesive top rail attachment recommended for short term use.</p> <p><b>WARNING:</b> Always attach graphic to base and top rail before removing the locking pin. After fitting, the graphic should be left for 24 hours before use to ensure the adhesive bonds sufficiently. Opening the base will invalidate the product warranty.</p>
Shipping	
<p><b>Shipping dimensions: (ships in one box)</b>  <b>Pacific 800:</b> 37" w x 7" h x 6" d (8 lbs. / 3.63 kg) 940mm(w) x 178mm(h) x 152mm(d)</p> <p><b>Pacific 920:</b> 45" w x 7" h x 6" d (11 lbs. / 4.99 kg) 1143mm(w) x 178mm(h) x 152mm(d)</p> <p><b>Pacific 1000:</b> 45" w x 7" h x 6" d (11 lbs. / 4.99 kg) 1143mm(w) x 178mm(h) x 152mm(d)</p>	
	additional information:

We are continually improving and modifying our product range and reserve the right to vary the specifications without prior notice. All dimensions and weights quoted are approximate and we accept no responsibility for variance. E&OE. See Graphic Templates for graphic bleed specifications.

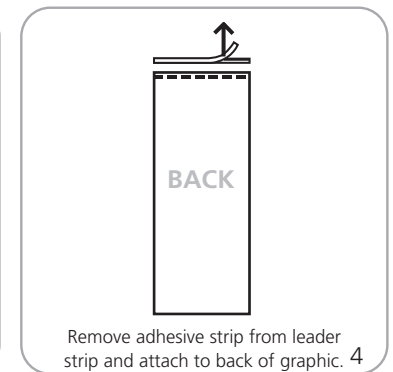
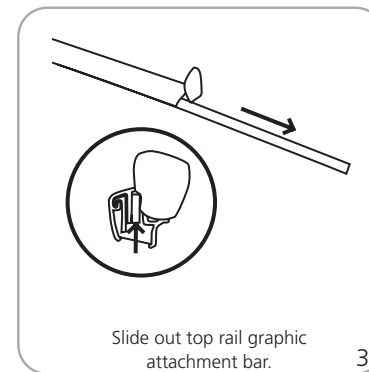
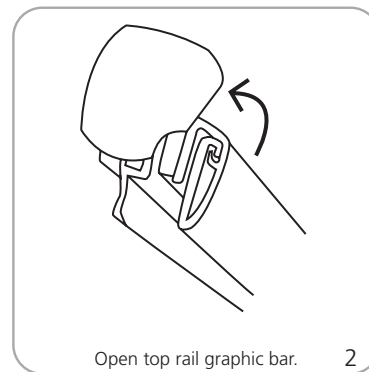
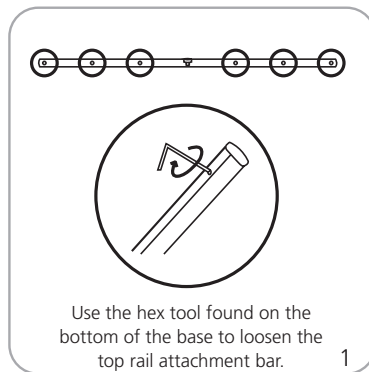
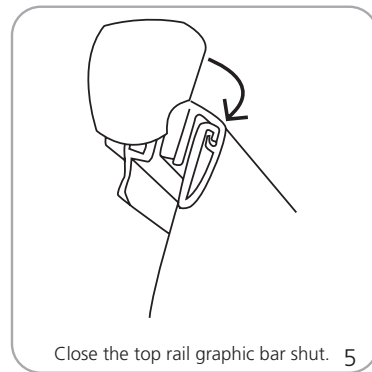
## Banner Stand Assembly



## Adhesive Top Rail Attachment



## Grippa Top Rail Attachment



# Attaching Graphic to Leader Strip

