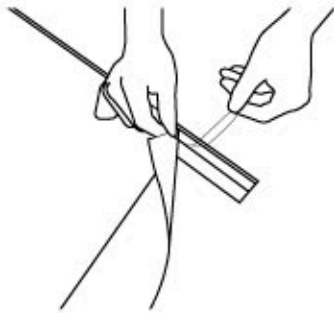


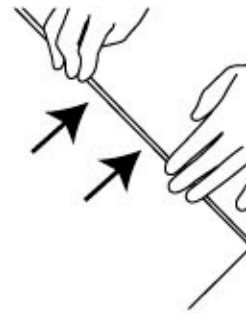
# **MOUNTING GRAPHIC**

## **With Panel Strip Profile and Panel Strip Roller (P.1)**

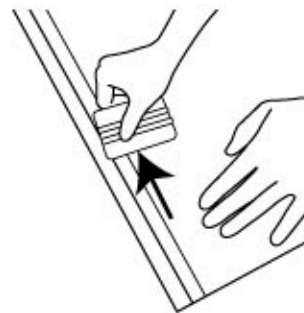
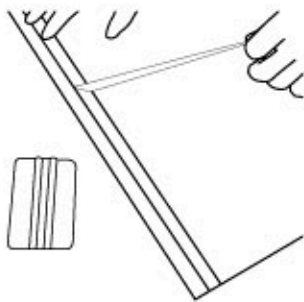
- 1.** Attach the graphic onto the panel strip by removing each time a few inches of the protective liner of the tape.



- 2.** Align the graphic with the strip and press the graphic firmly on the strip.

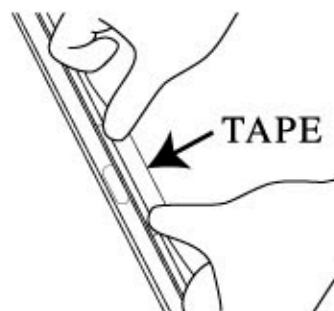
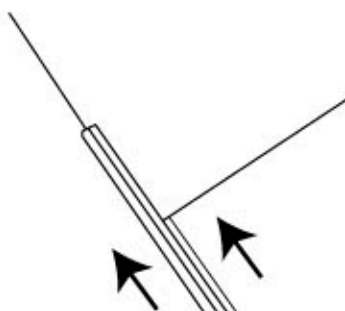


- 3.** Repeat the above steps at the back of the graphic with the security tape. Press firmly.



- 4.** Repeat steps 1 to 3 for bottom of the graphic.

- 5.** Slide the top of the graphic into the top profile and secure with a piece of tape.



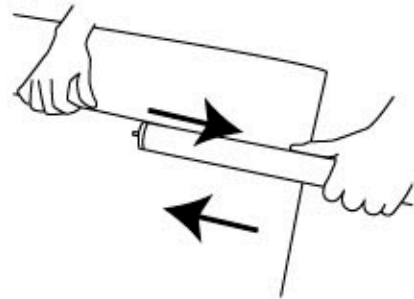
# **MOUNTING GRAPHIC**

## **With Panel Strip Profile and Panel Strip Roller (P.2)**

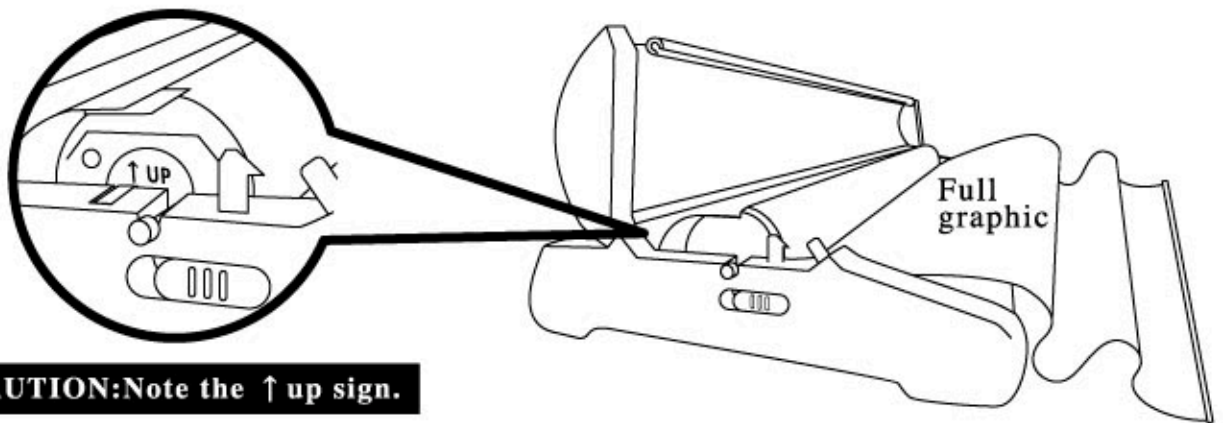
6. Open the cover by clicking the two buttons at both ends and take out the internal roller.



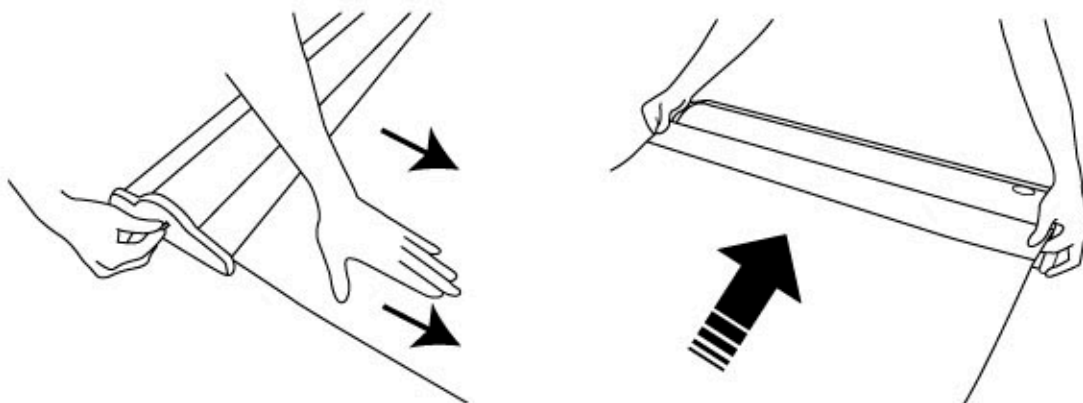
7. Slide the bottom of the graphic into the slot of the roller.



8. Return the roller with graphic into the base. Let the entire graphic lay outside the base. Close the cover.



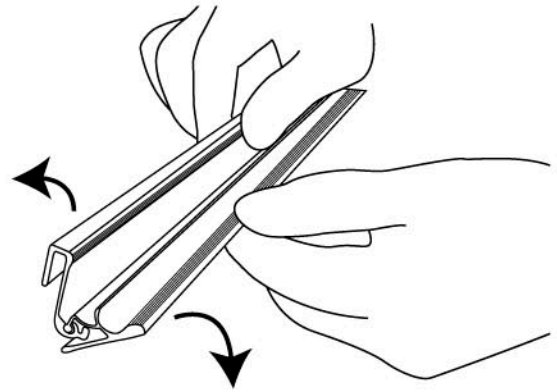
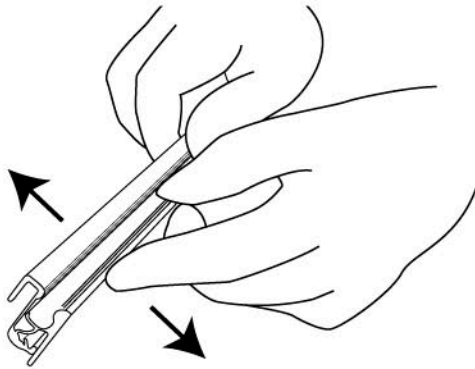
9. Push the graphic forward slightly to activate the spring system. Remove the locking pin and let the graphic retract into the system slowly.



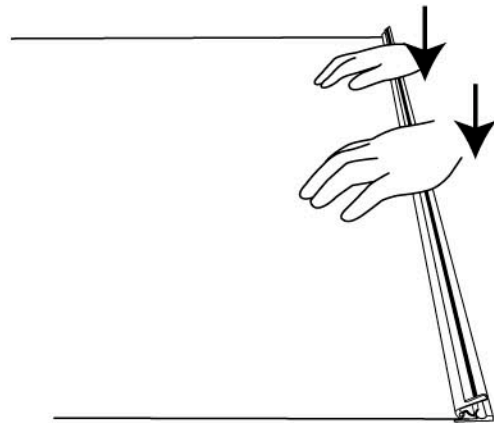
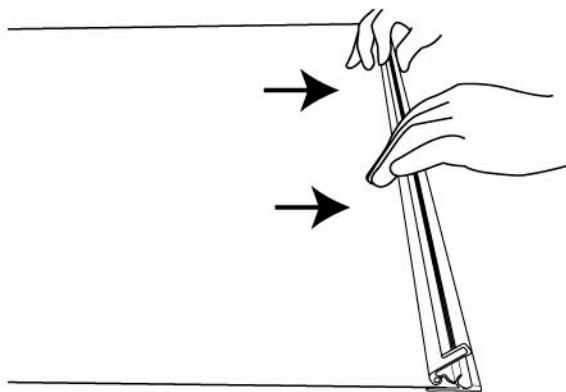
# **MOUNTING GRAPHIC**

## **With Snap Profile and Snap Roller (P.1)**

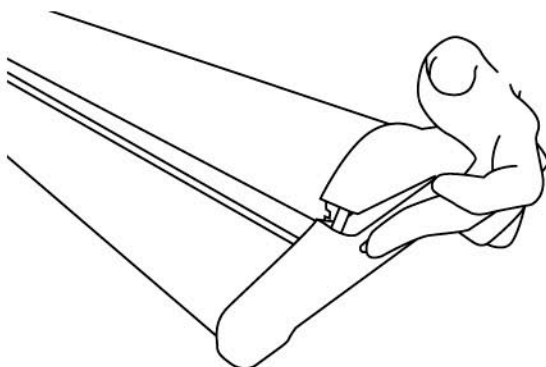
**1.** Open the snap profile near the end without any tools.



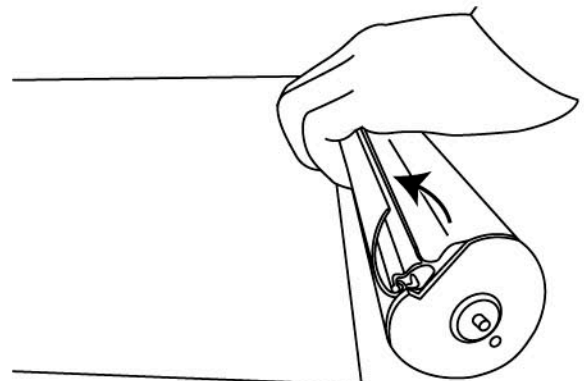
**2.** Insert the graphic into the profile and press hard.



**3.** Open the cover by clicking at the two buttons at both ends and take out the internal roller.



**4.** Open the snap roller.

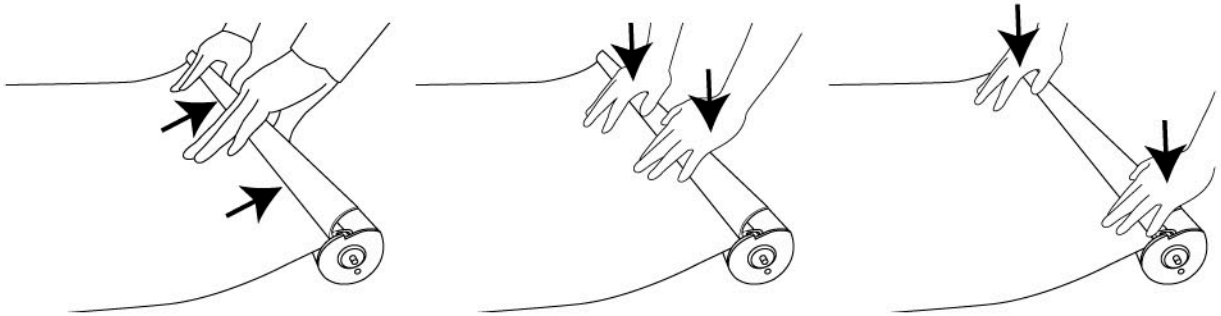


# MOUNTING GRAPHIC

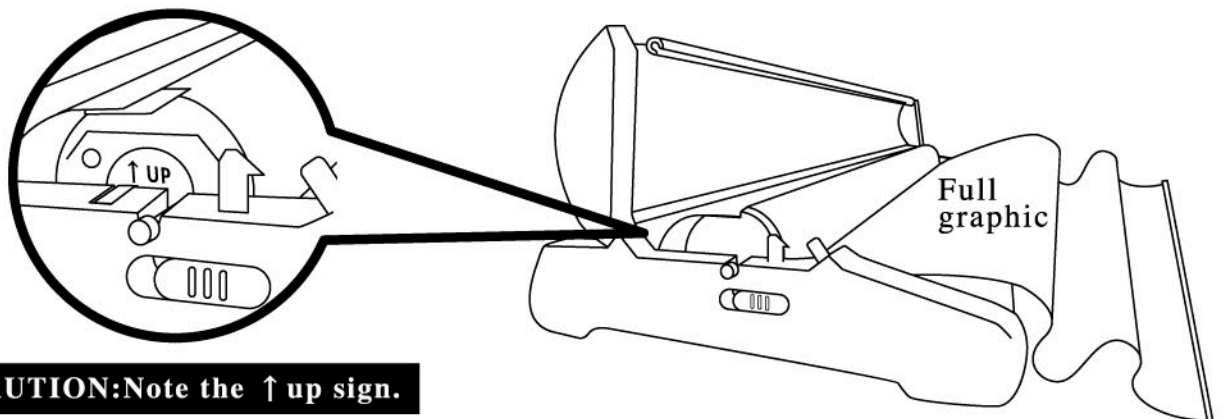
## With Snap Profile and Snap Roller (P.2)

5. Insert the graphic into the snap roller and press hard along the entire roller until it's firm.

**IMPORTANT!**



6. Return the roller with graphic into the base. Let the entire graphic lay outside the base. Close the cover.



**CAUTION:**Note the ↑ up sign.

7. Push the graphic forward slightly to activate the spring system. Remove the locking pin and let the graphic retract into the system slowly.

