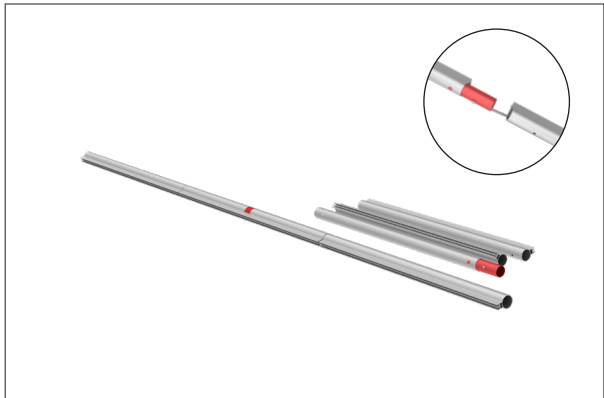


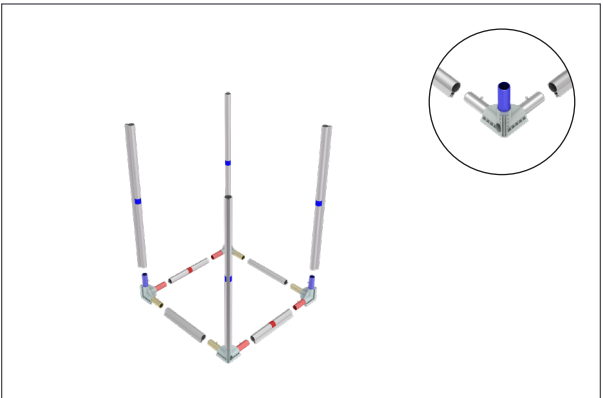
Set Up Instructions

CSNRC-50M

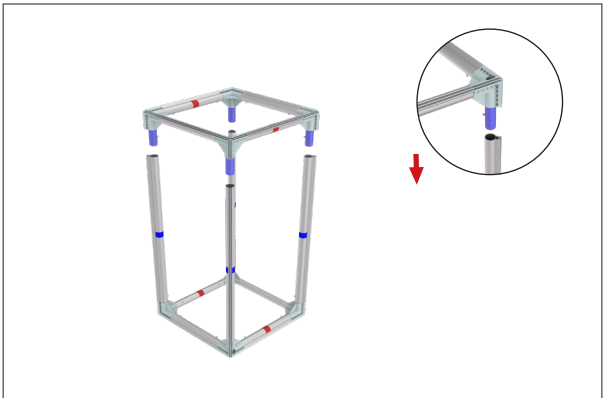
Step 1: Assemble all straight pipes with bungee cords by pushing and pulling together.



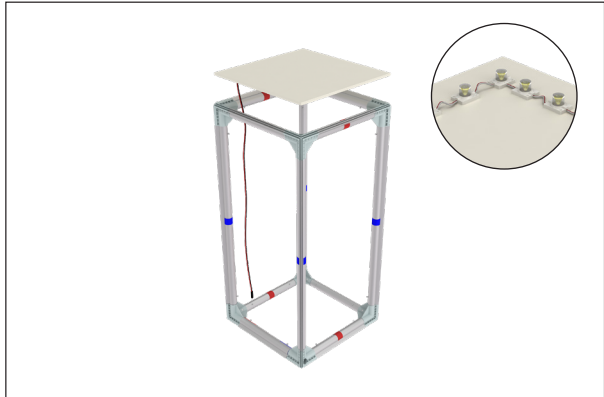
Step 2: Connect all corner sections to straight sections of the frame by matching color on pipes.



Step 3: Build two outer frames and connect top and bottom frames together in the corners with small connecting pipes.



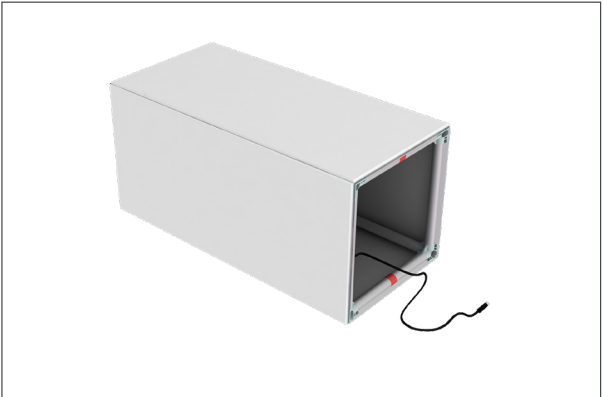
Step 4: Fit PVC inner boards onto the top of frame with wedge side face down. Position and align board until it fits down into the frame. The power cord will hang inside the frame.



Step 5: Drape the graphic over frame and gently pull down to bottom of counter on all sides.



Step 6: To complete installation of graphic, gently place counter on its side.



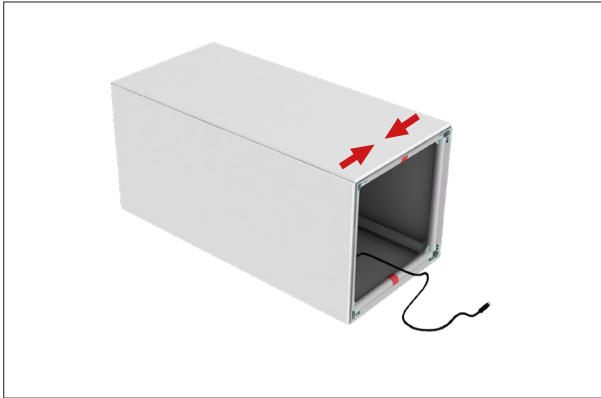
Set Up Instructions

CSNRC-50M

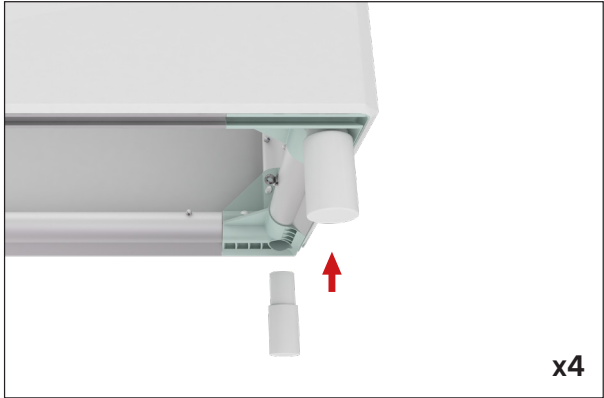
Step 11: Start in one corner of the frame and push the silicone edge of graphic into the outside bottom groove. Insert for 4-6 inches in both directions. Repeat on all corners.



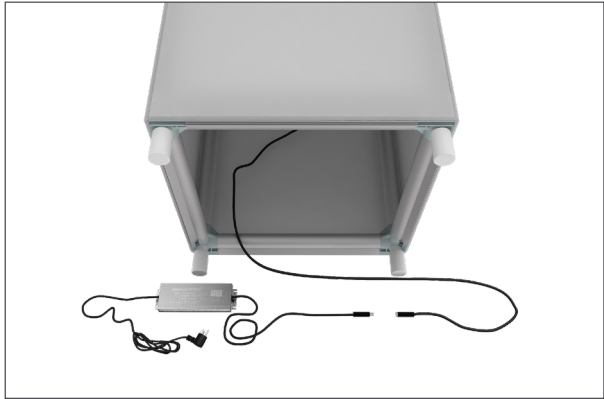
Step 12: Continue inserting silicone edge of graphic into the frame working towards the center of frame on each side. Do not over pull or stretch.



Step 13: Insert feet into 4 corners of the frame base.



Step 14: Attach LED Light Array to power supply. Stand counter into upright position over top of power supply with power cord showing.



Step 15: Move counter into position and plug power cords into outlet to illuminate display.

