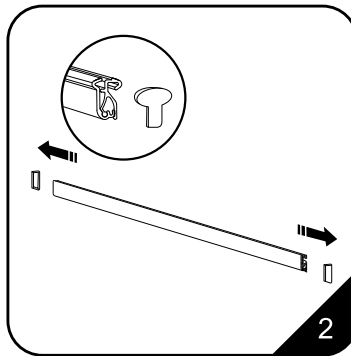


Expo Pro Graphic Installation and Setup

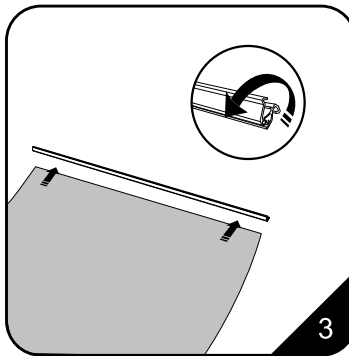
If you purchased your Expo Pro with a banner installed, skip to step 11 for instructions on setting up the display.



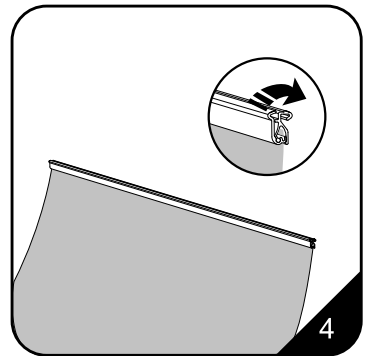
1. The package should contain the base unit, head rail, telescopic pole and carry case.



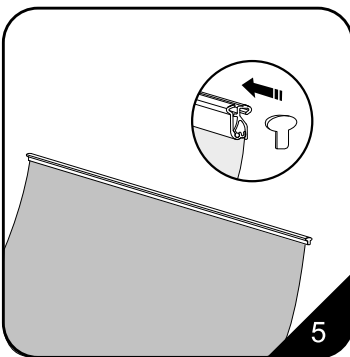
2. Remove the plastic end caps from the top snap rail.



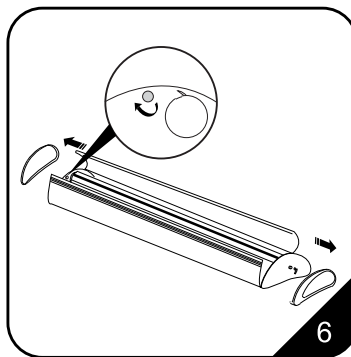
3. Open the top snap rail then insert the top edge of the graphic as far as it will go.



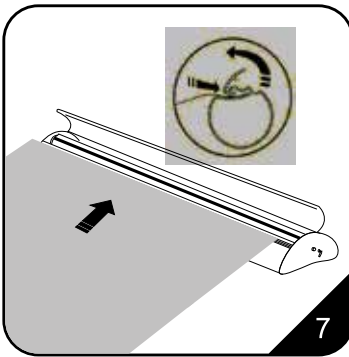
4. Close the top snap rail fully to secure the graphic. It may be easier to lay the graphic on a table and push down hard to close the snap rail completely.



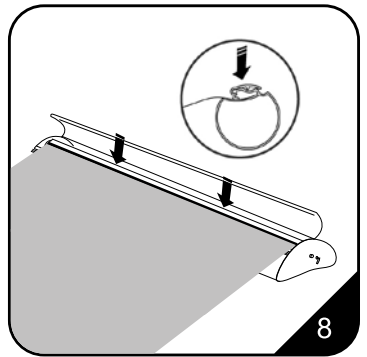
5. Replace the plastic end caps on the top snap rail.



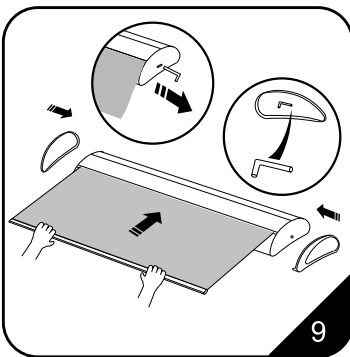
6. Open the top covers and remove the end caps by unscrewing the plastic thumbscrew securing each end cap.



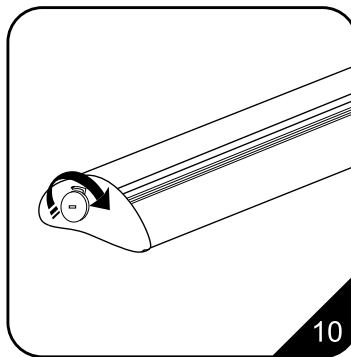
7. Open the roller's snap rail by lifting up the back edge of the rail, insert the bottom edge of the banner into the opening with the back of the graphic facing up.



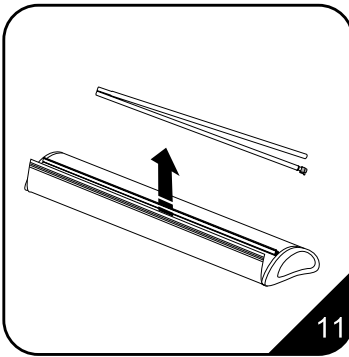
8. Close the roller's snap rail by pushing down firmly on the rail to secure the banner.



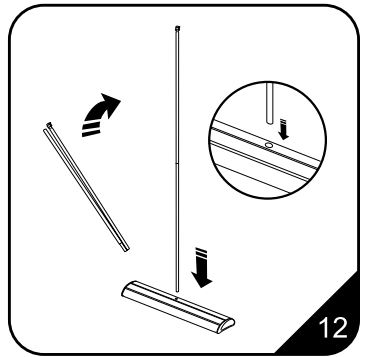
9. Remove the locking pin from the right side end plate while holding the banner securely. Let the banner slowly retract into the base. Store the locking pin and replace the end caps removed in Step 6.



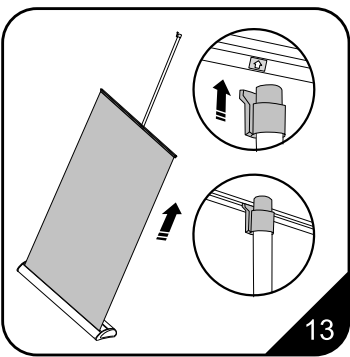
10. If there is not sufficient tension on the roller to fully retract the banner, turn the tension knob on the left end of the base clockwise until the banner is fully retracted, then turn an additional 4 revolutions.



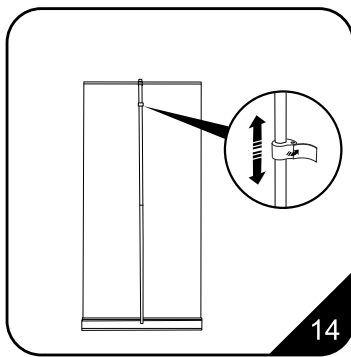
11. Open the front cover and remove the telescopic pole from the storage compartment. Close the front cover.



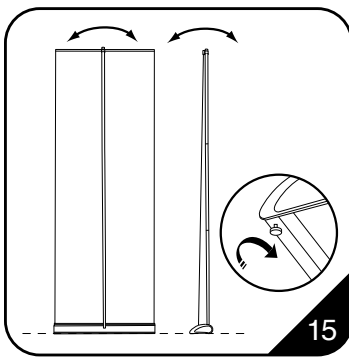
12. Unfold the telescopic pole and insert the round end into corresponding hole in the base.



13. Grasp the top rail of the banner and attach it to the plastic holder at the top of the pole. An arrow indicates the spot where the pole should be inserted.



14. Open the lever lock and extend the upper section of the pole to the desired height. Close the lever lock to secure the pole at the selected height.



15. The unit can be leveled by adjusting the threaded plastic feet at the bottom of the base unit.

CAUTION:
Please read the instructions carefully before installation and use.