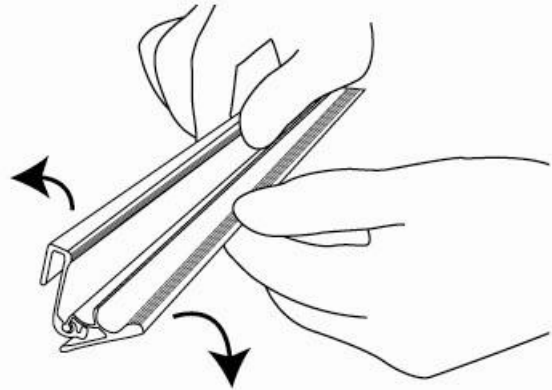
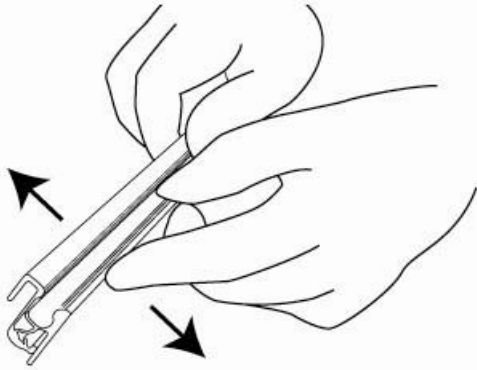


MOUNTING GRAPHIC

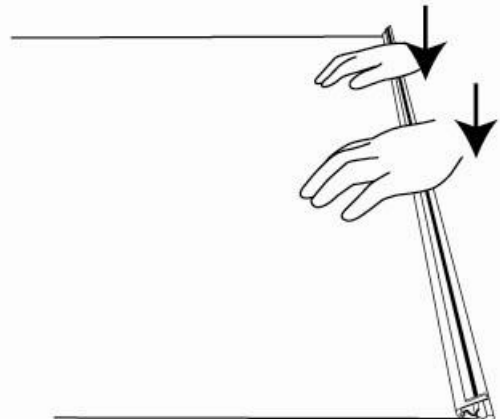
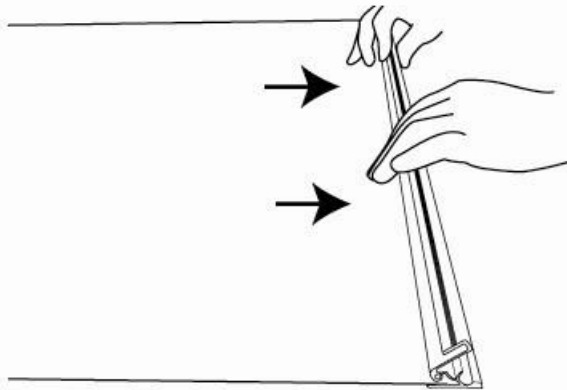


(P.1)

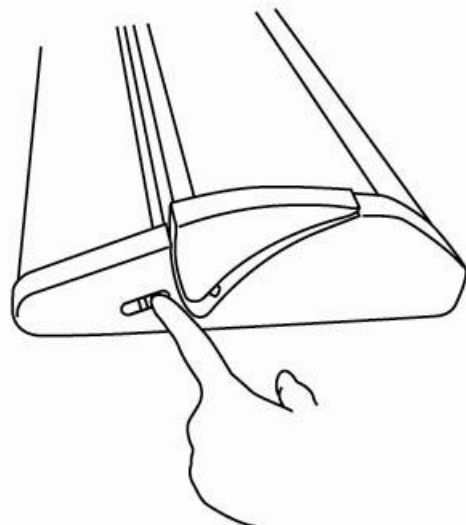
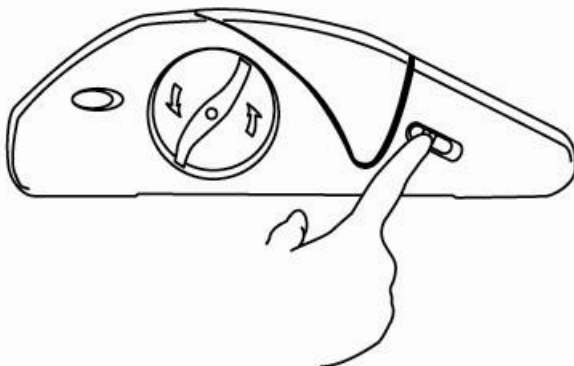
1. To open the snap profile without any tools, open it from both ends.



2. Insert the graphic into the profile and press hard.



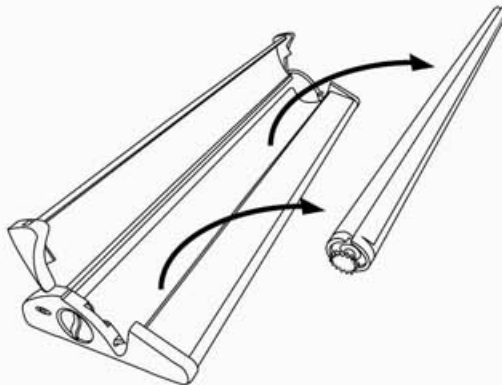
3. Open the cover by clicking the two black buttons at both ends.



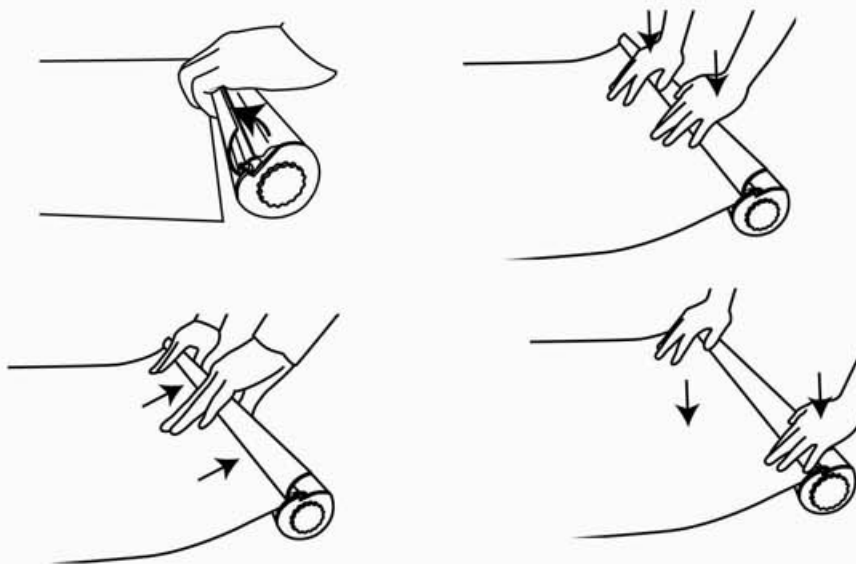
MOUNTING GRAPHIC

(P.2)

4. Once the cassette cover is opened, remove the roller from the base.



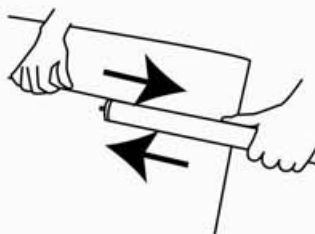
5. You can choose how you would like to attach the graphic to the roller:



5a. Snap Side

Open the roller flap and insert the graphic into the roller.

Once the graphic is fully inserted, shut the roller flap by pushing the middle first, then, push the two sides of roller to ensure it's tightly shut.



5b. Panel Side

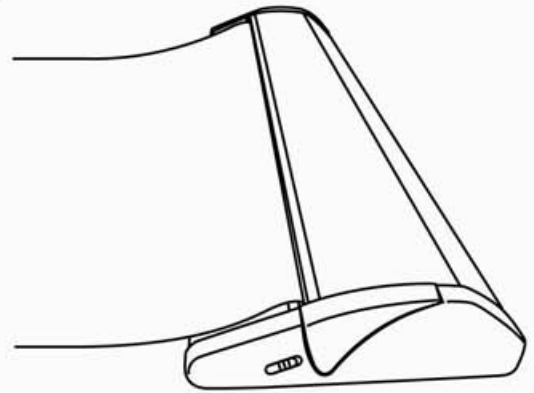
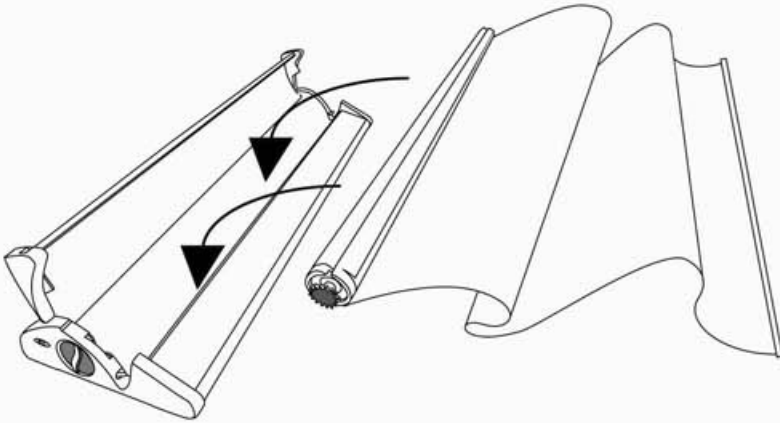
Attach the panel strip to the bottom of your graphic and simply slide in the panel strip into the slot in the roller.

MOUNTING GRAPHIC

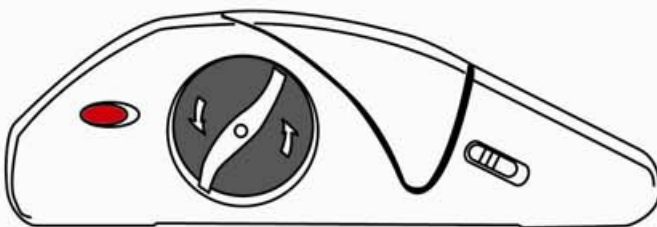


(P.3)

6. Place the roller back into the system, ensure the roller end with a gearing wheel is on the same side as the turning dial of the base (note the gray area in the diagram below). Then, close the cassette cover.



Adjusting Tension



* Rebuilding Tension

To rebuild the tension, push the red button backward and turn the black tension device until the graphic retracts completely.

* Adding Tension

Turn the black tension device to put on additional tension.

* Releasing Tension

By pushing the red button forward, the tension on the spring would be released completely.