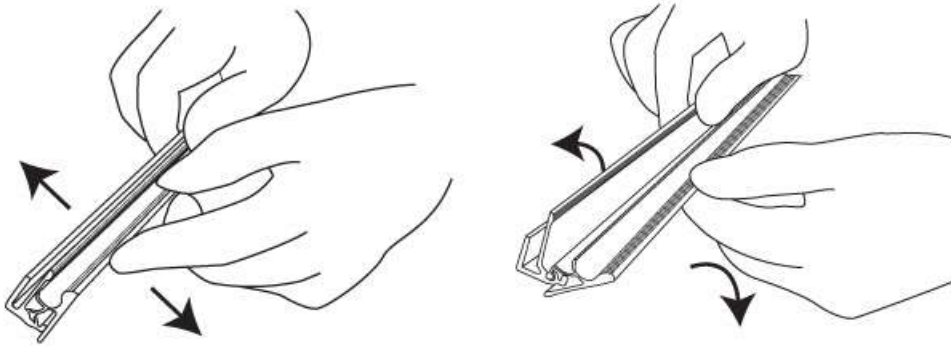
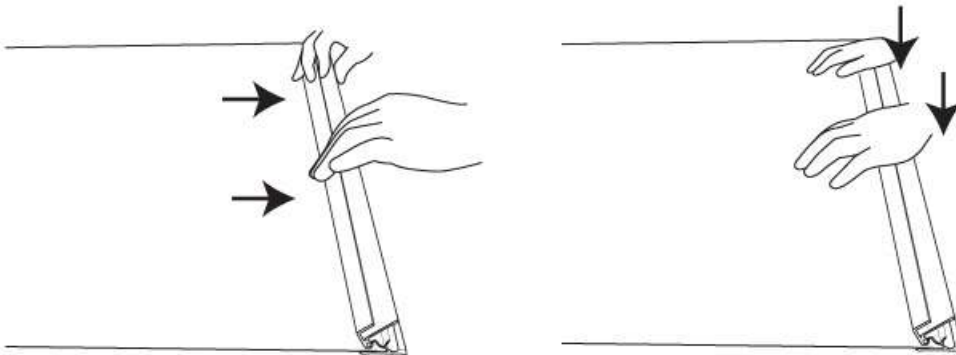


MOUNTING GRAPHIC

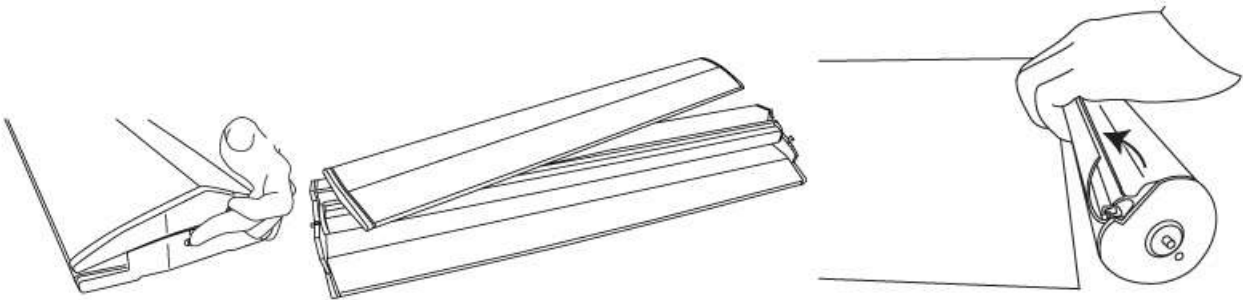
1. Gently open the aluminium roll back rail by hand.



2. Feed the graphic into the gap in the center of the roll back rail, then press hard along the entire rail to close it tight.

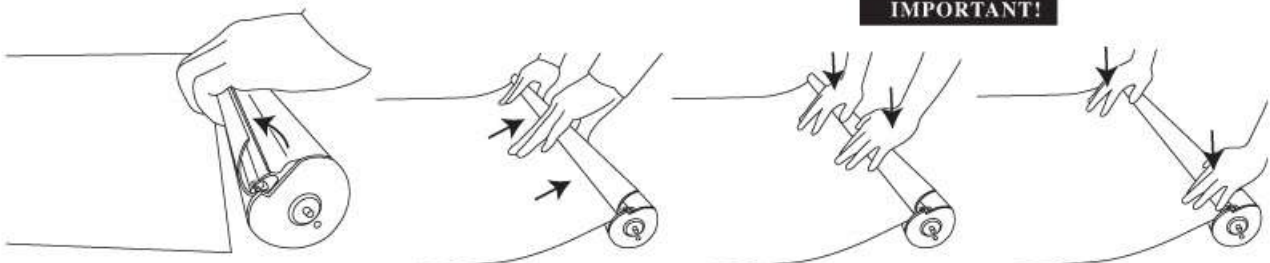


3. Click the buttons on both end caps to totally remove the cover. Remove the roller mechanism from the base and gently open the snap rail on the roller by hand.



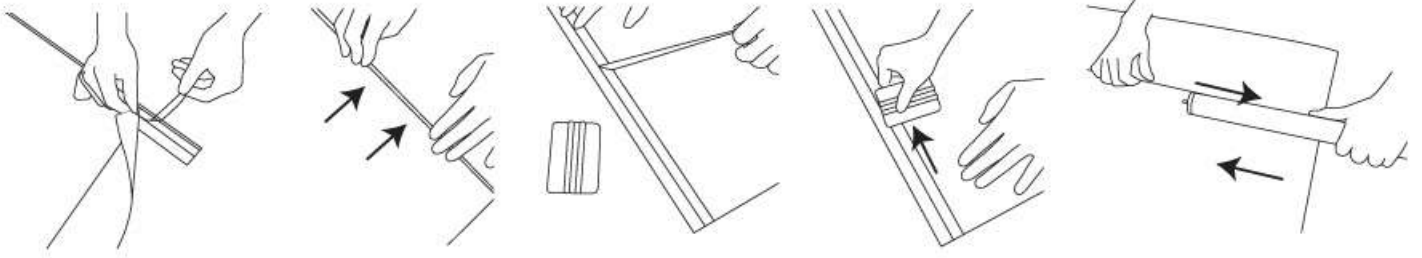
- 4a. With our V4 Dual Roller, there are two choices for you to attach your graphics to the roller. If you wish to attach the graphic to its snap side, open the snap roller, then insert your graphic onto the roller. Press hard onto the centre of the roller, to ensure it is shut tightly. Then, press hard on the ends of the roller, to ensure it is completely tight and shut.

IMPORTANT!

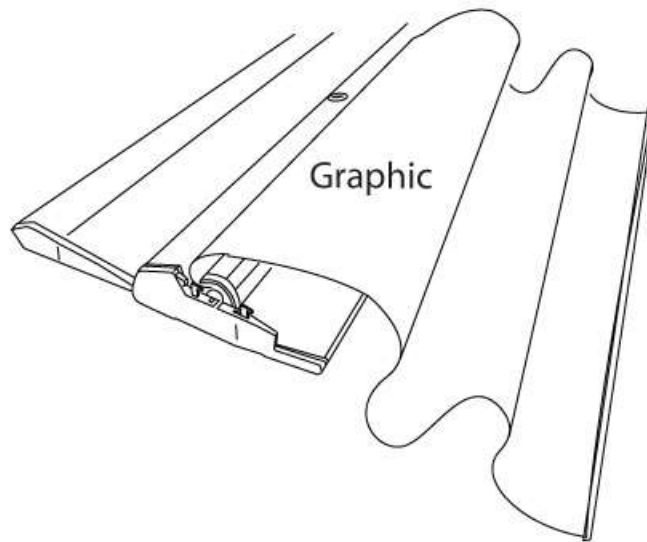


MOUNTING GRAPHIC

- 4b. Alternatively, if you are using the panel strip side of the roller. Then, a panel strip is needed at the bottom of your graphic. Firstly, align your graphic to the panel strip, then peel off the protective tape slowly at a few inch at a time. Secondly, press the graphic firmly to the panel strip. Once, the panel strip is attached, flip over the graphic and apply another of adhesive tape to the overlap area of the graphic and panel strip. Press it with a sheet of hard plastic to ensure it is firmly attached. Lastly, slide the graphic with panel strip into the slot of the roller.



5. Place the roller back into the base, ensuring most of the graphic remains outside the system. Gently replace the cover on the base and click it back into position.



6. Push the graphic slightly away from the base to activate the spring mechanism. Whilst holding onto the graphic, remove the locking pin and allow the graphic to gently retract into the base.

