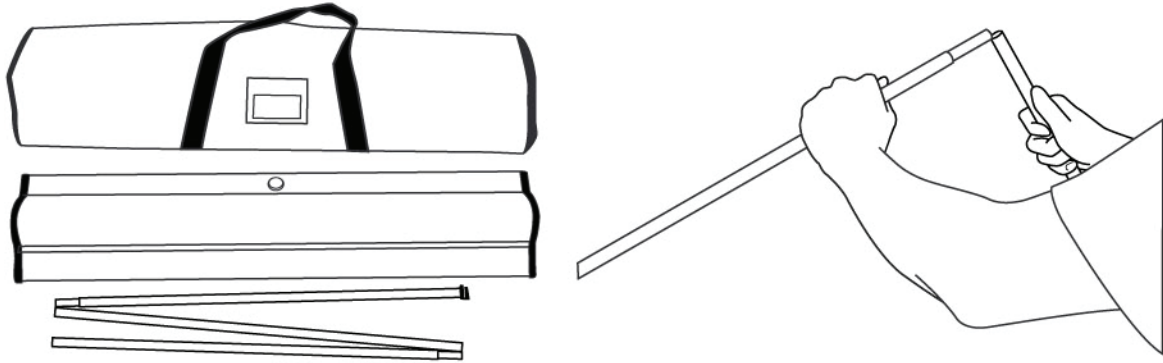


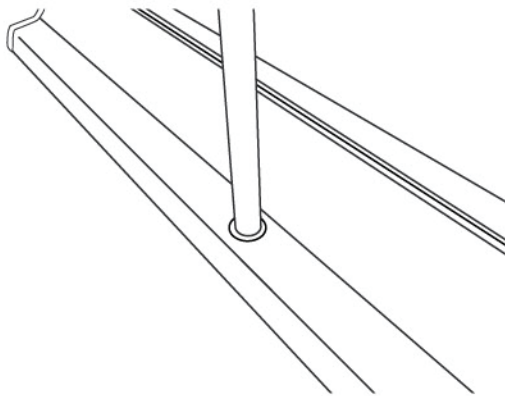
# SET UP INSTRUCTION

## 3 - Parted Pole

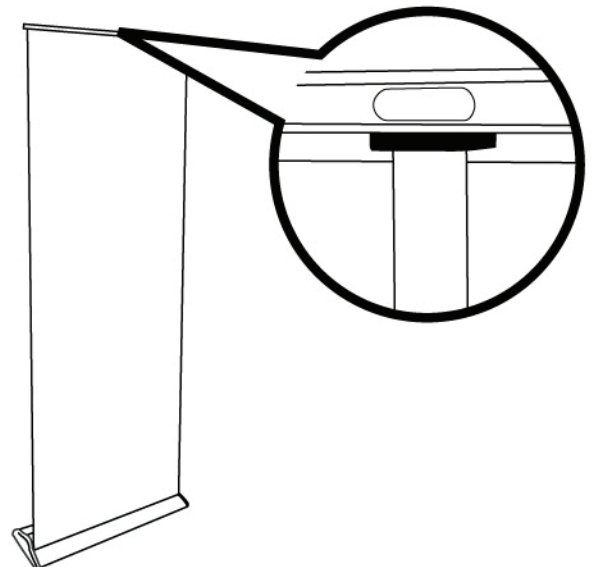
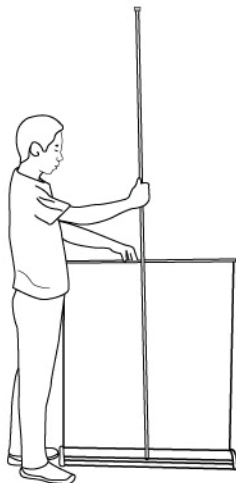
1. Unfold the 3-parted pole.



2. Insert the pole onto the cup of the base.



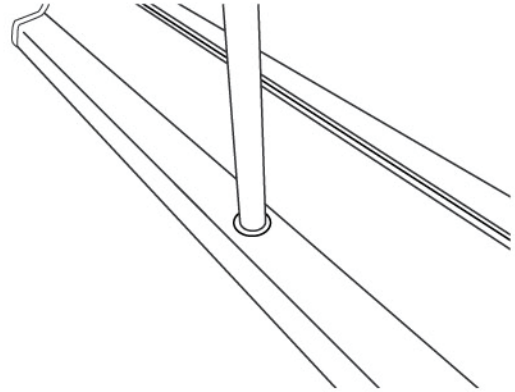
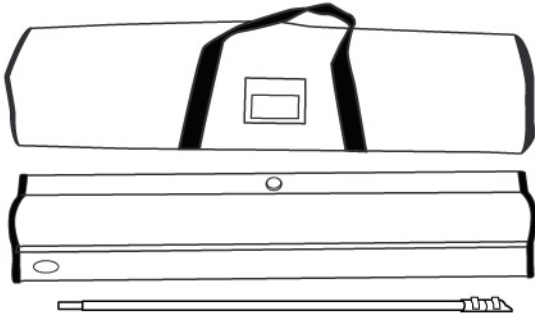
3. Pull up the graphic and position the plastic end tip of the pole into the profile.



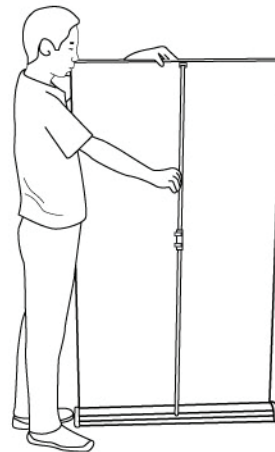
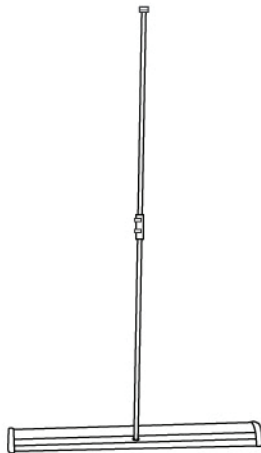
# SET UP INSTRUCTION

## Adjustable Pole

1. Insert the pole onto the cup of the base.



2. Release the upper lock and pull out the upper pole, then lock. Pull out the graphic and position the plastic end tip into the top profile.



3. Release the lower lock and pull up the middle pole to adjust the height of the graphic.



**CAUTION: Improper way of set up!**